

DIRECT ACTING SOLENOID VALVES



2/2 Direct acting normally closed valve

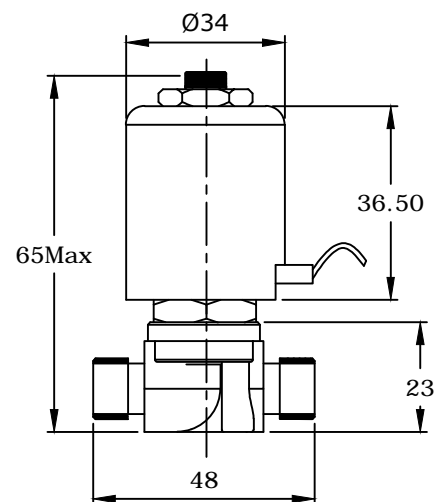
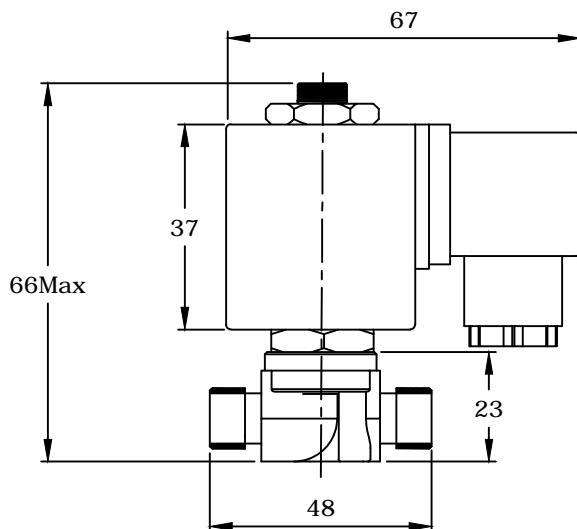
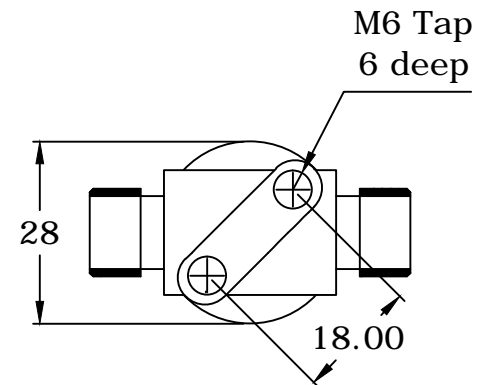
Features :

- Wide range of coil voltages.
- Continuous duty cycle.
- Low temperature of operation.
- Noiseless performance.
- Coil can be rotated by 360°.



Technical Specifications :

Model	V-PB 3001			
Medium	Filtered Compressed air / Water			
Port Size	Inlet, Outlet - G1/4 BSP (F)			
Ambient / Medium temperature	5° - 60° C			
Orifice (NW)	1.8	2.4		
Operating pressure (bar)	0 - 10	0 - 8		
Flow rate (Ltr / Min)	140	250		
Electrical				
Voltage (V) ± 10%	AC		DC	
	24	230	12	24
Power Consumption (Watts)	6		8	
Duty Cycle	Continuous			
Type of coil protection	IP65			
Class of insulation	Class - F			
Materials of construction	Aluminium, Brass, Stainless Steel			



Manufactured by :

Kushako India

Office : 490, Narayan Peth, Opp. Pune Marathi Granthalaya, Pune - 411030. (Maharashtra), Website : www.kushakoindia.com

Works : Sr.No. 25/1A, Village Nanded, Sinhgad Road, Tal - Haveli, Dist. Pune -411041

Tel. No : 901169077 / 7620674777

E-mail : kushako.india@gmail.com / kushakoindia1992@gmail.com

Kushako